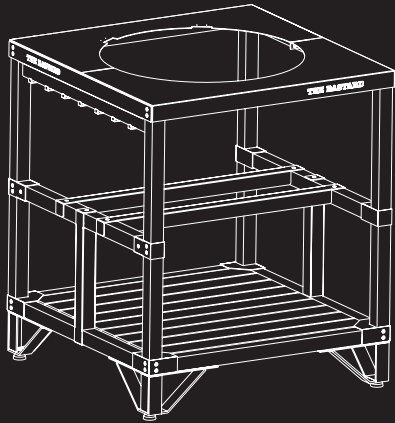


**THE BASTARD**

**BUILDING YOUR SERIOUS  
OUTDOOR KITCHEN.**

**THE BASE | THE SHELVES | THE SINK**

SERIOUS OUTDOOR COOKING

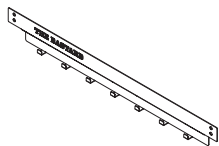


PART ONE

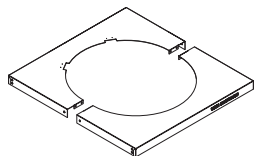
# THE SERIOUS OUTDOOR KITCHEN

## BUILDING THE BASE

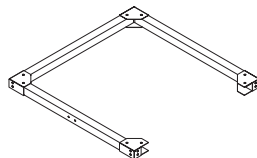
# CONTENT BSK BASE



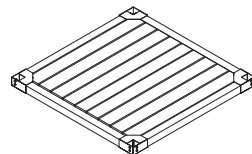
1X



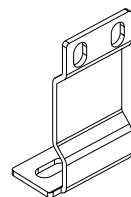
1X



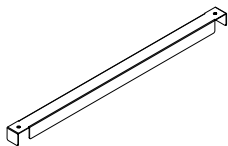
1X



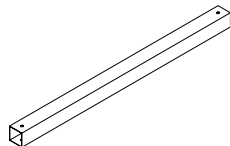
1X



2X



2X



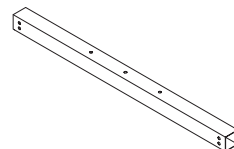
1X



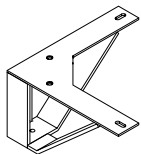
4X



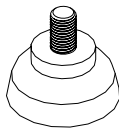
2X



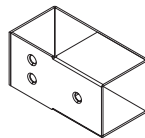
2X



4X



4X



4X



66X

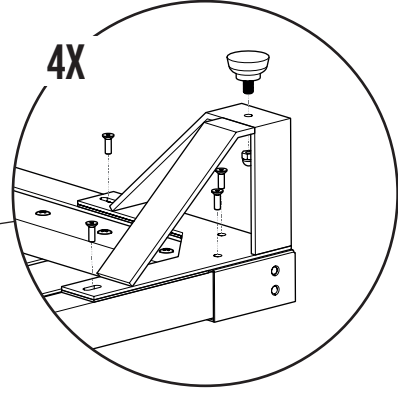
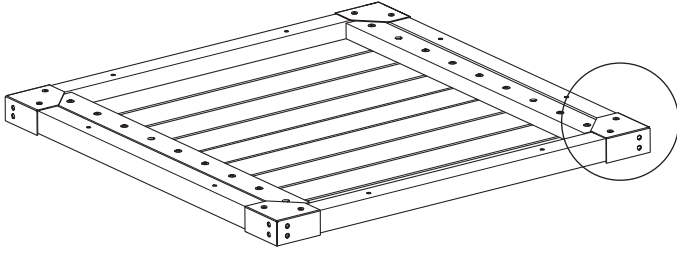


4X

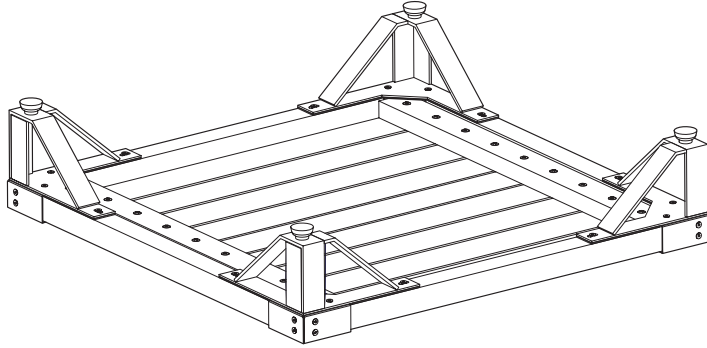
# BSOK 1 THE BASE

1

-  16X
- 
-  4X
-  4X



2



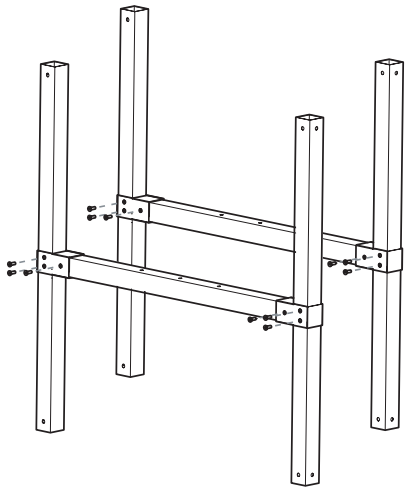
# BSOK 1 THE BASE

THE BASTARD  
SERIOUS OUTDOOR COOKING

3



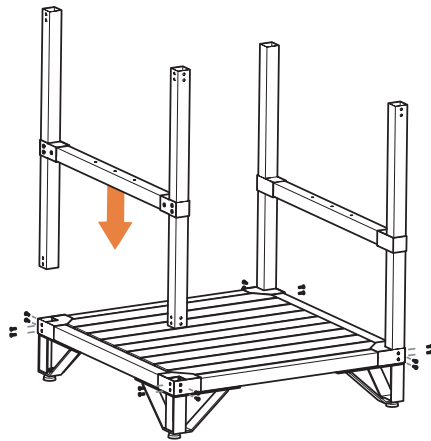
12X



4



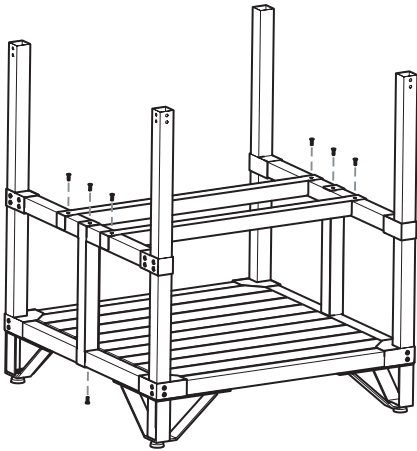
16X



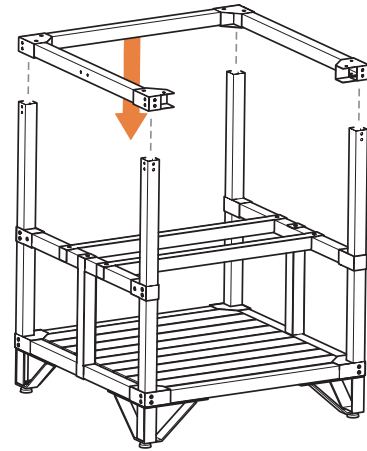
5



8X

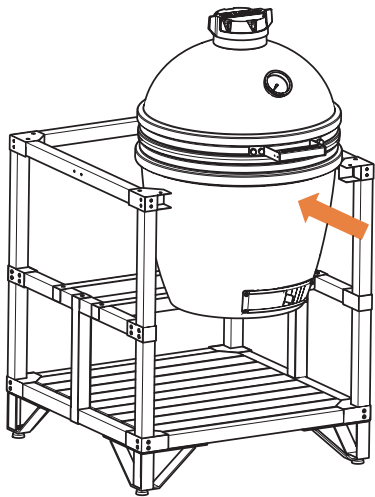


6

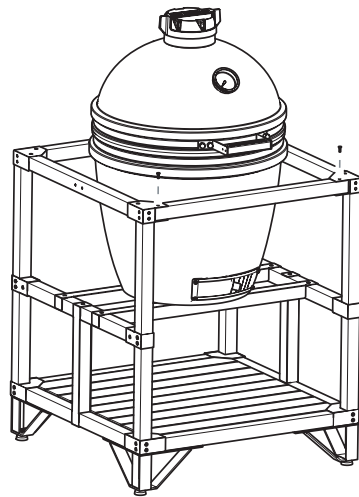


# BSOK 1 THE BASE

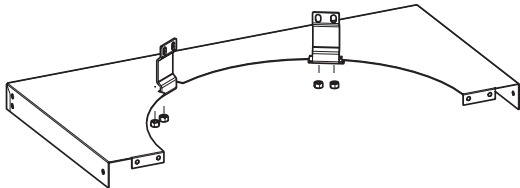
7



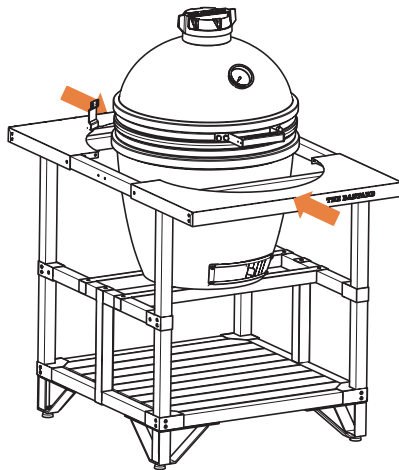
8



9



10

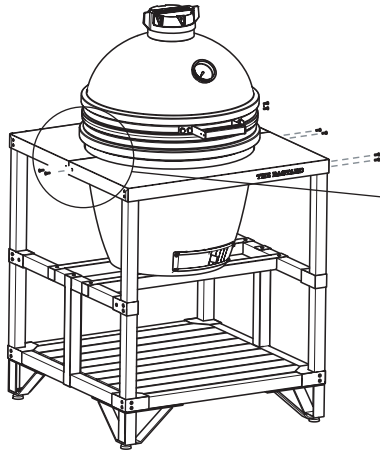


# BSOK 1 THE BASE

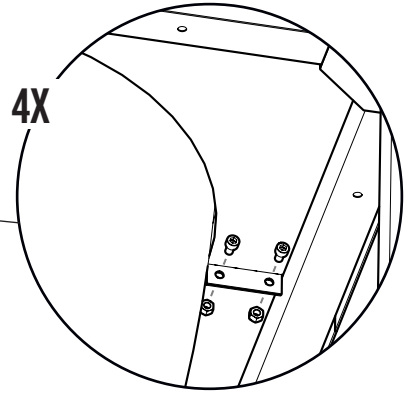
11



8X



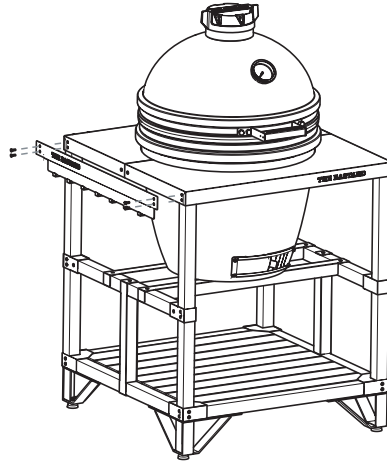
4X



12



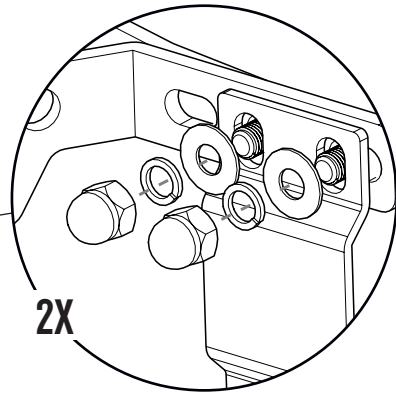
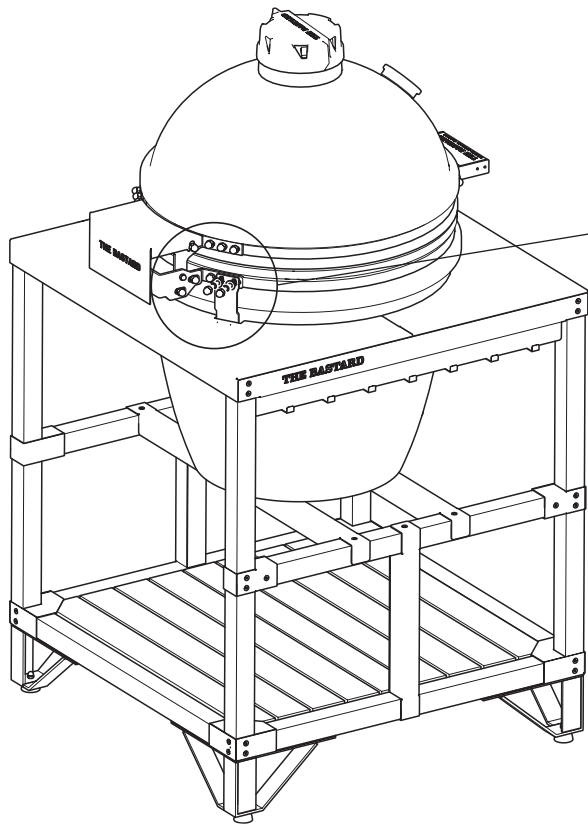
4X



# BSOK 1 THE BASE

THE BASTARD  
SERIOUS OUTDOOR COOKING

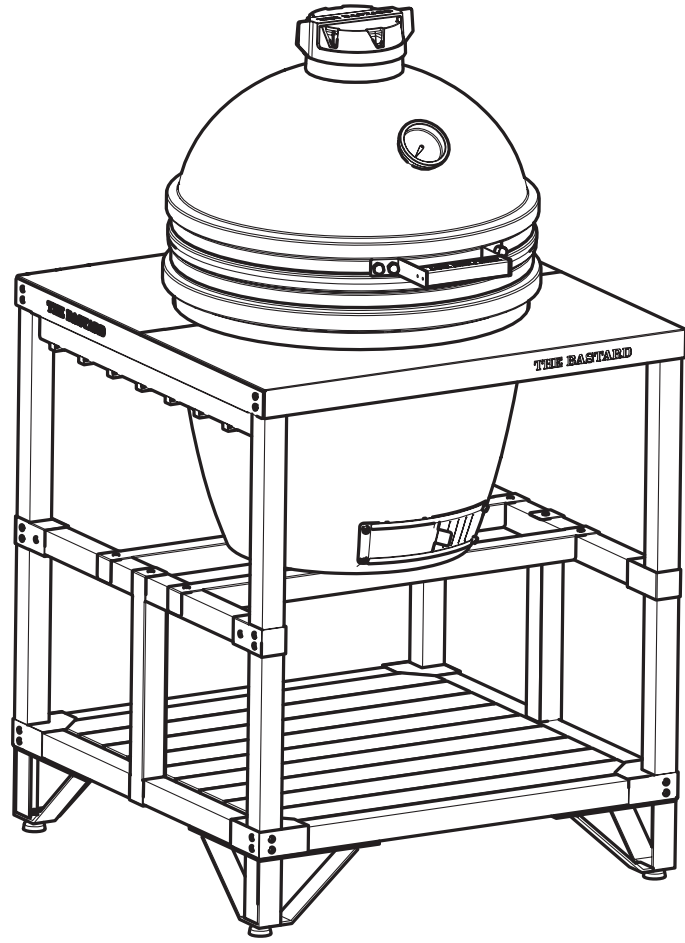
13

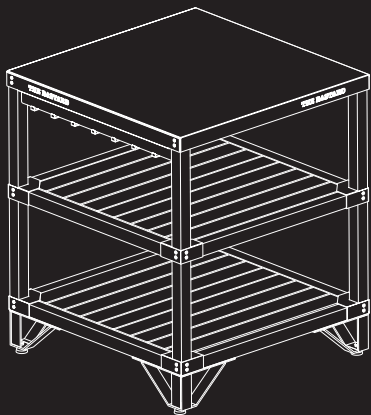




# BSOK 1 THE BASE

**THE BASTARD**  
SERIOUS OUTDOOR COOKING





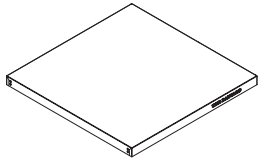
**PART TWO**

# THE SERIOUS OUTDOOR KITCHEN

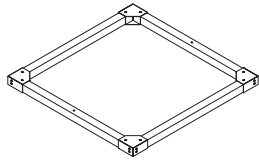
## BUILDING THE SHELVES

# CONTENT BSK SHelves

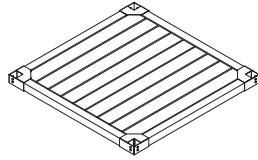
THE BASTARD  
SERIOUS OUTDOOR COOKING



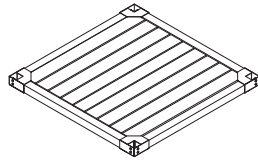
1X



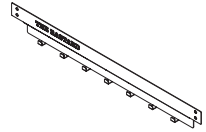
1X



1X



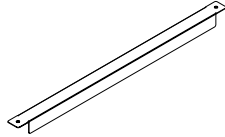
1X



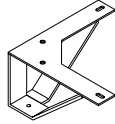
1X



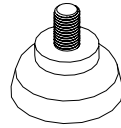
4X



1X



4X



4X



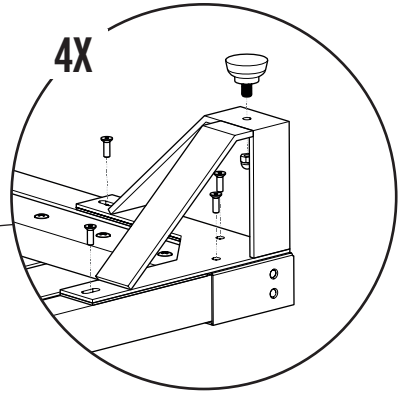
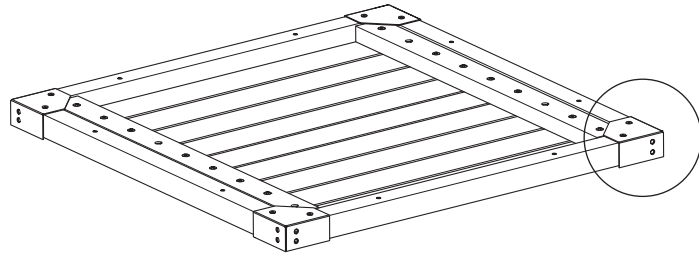
56X

# BSOK 2 THE SHELVES

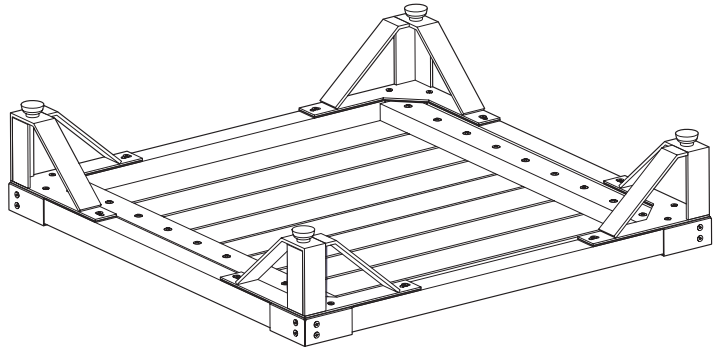
THE BASTARD  
SERIOUS OUTDOOR COOKING

1

-  16X
- 
-  4X
-  4X



2



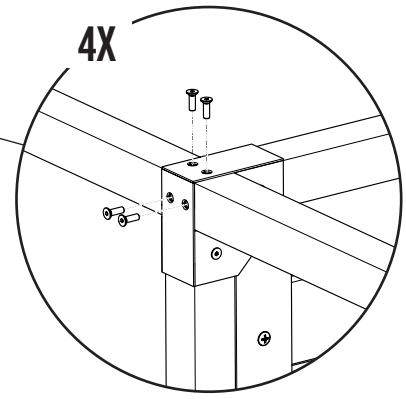
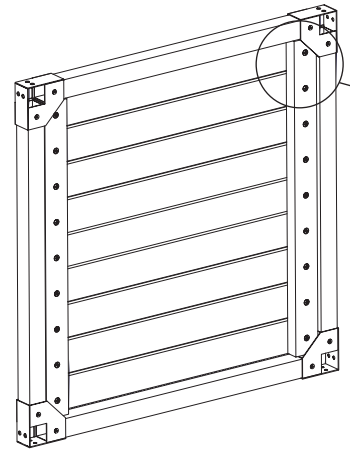
# BSOK 2 THE SHELVES

THE BASTARD  
SERIOUS OUTDOOR COOKING

3



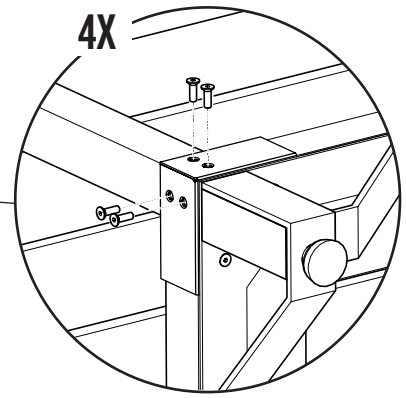
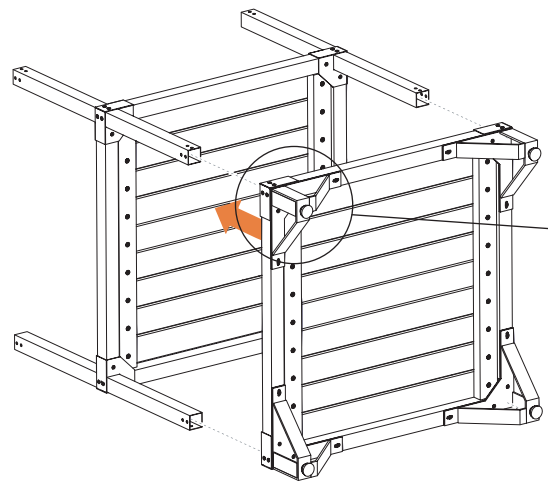
16X



4



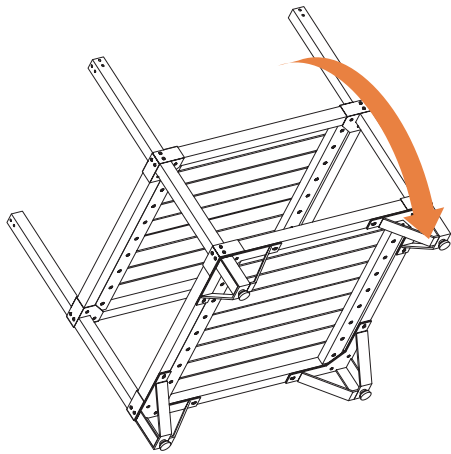
16X



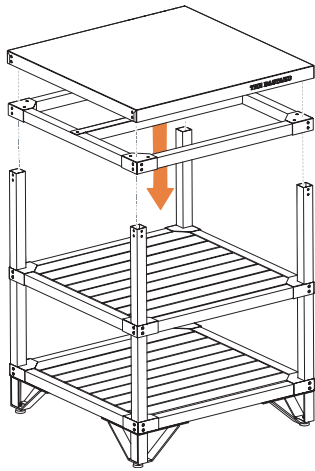
# BSOK 2 THE SHELVES

THE BASTARD  
SERIOUS OUTDOOR COOKING

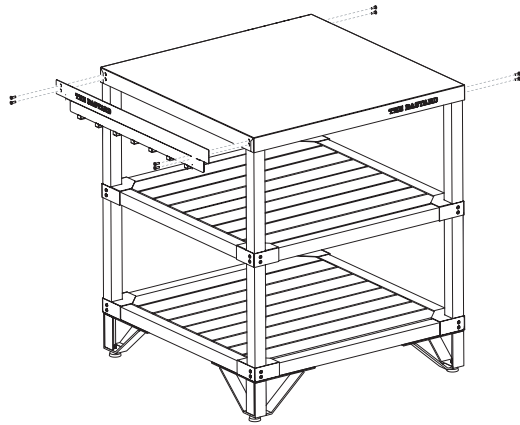
5



6



7



# BSOK 2 THE SHELVES

**THE BASTARD**  
SERIOUS OUTDOOR COOKING





**PART THREE**

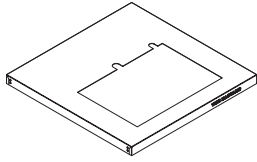
# THE SERIOUS OUTDOOR KITCHEN

## BUILDING THE SINK

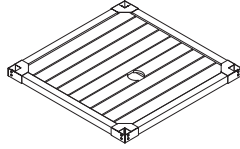


# CONTENT BSOX SINK

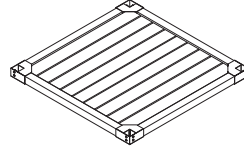
THE BASTARD  
SERIOUS OUTDOOR COOKING



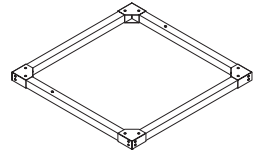
1X



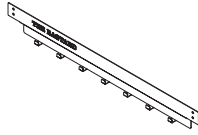
1X



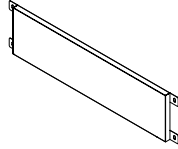
1X



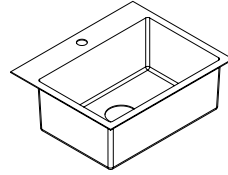
1X



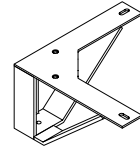
1X



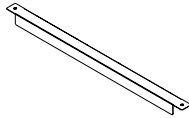
1X



1X



4X



1X



4X



4X



70X

# BSOK 3 THE SINK

THE BASTARD  
SERIOUS OUTDOOR COOKING

1



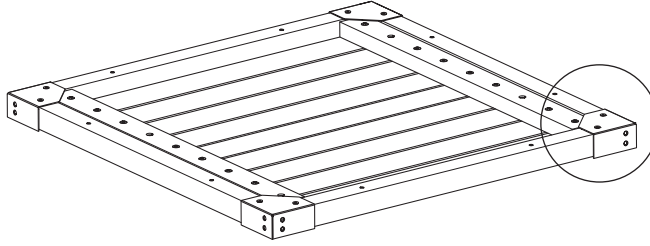
16X



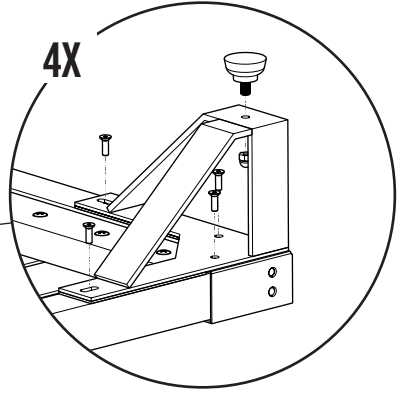
4X



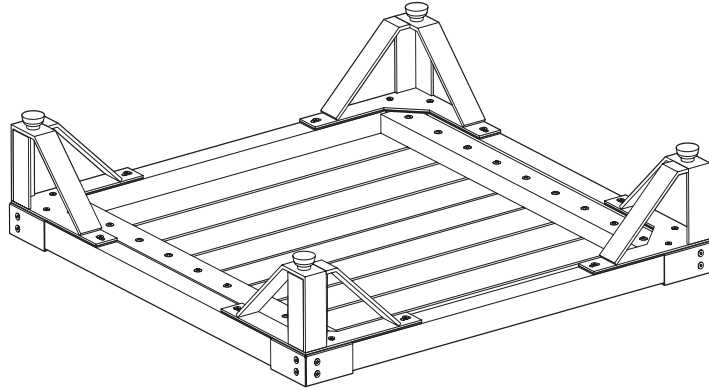
4X



4X



2



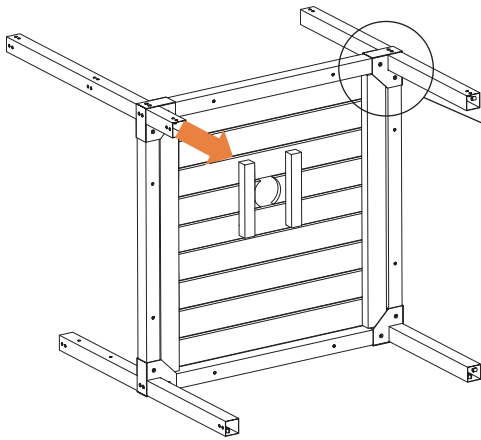
# BSOK 3 THE SINK

THE BASTARD  
SERIOUS OUTDOOR COOKING

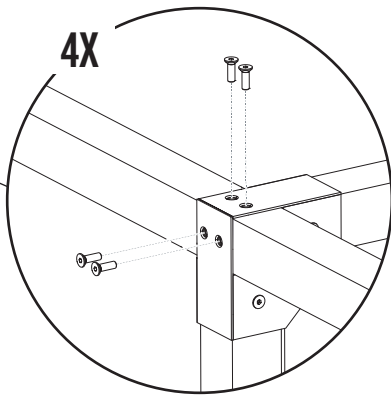
3



16X



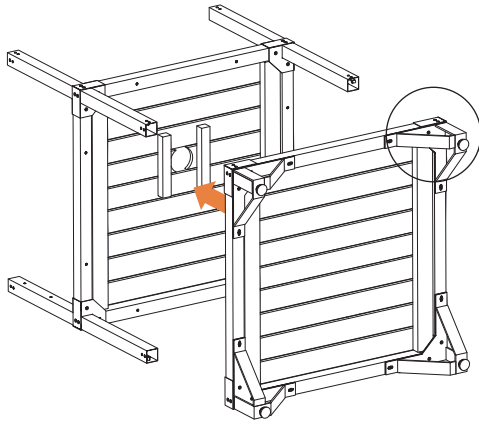
4X



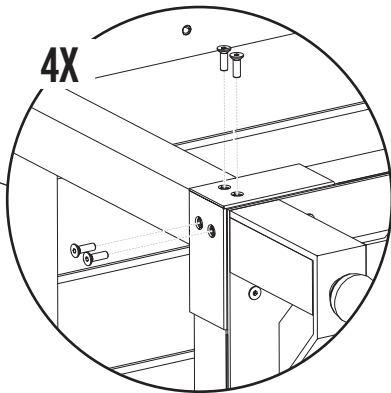
4



16X



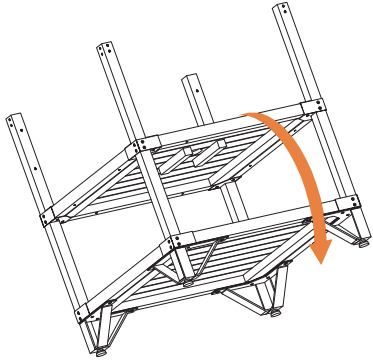
4X



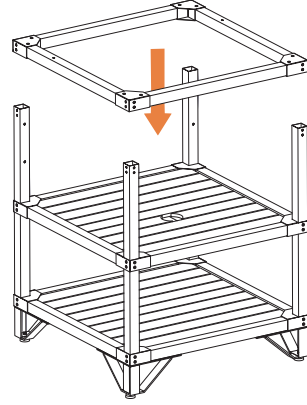
# BSOK 3 THE SINK

THE BASTARD  
SERIOUS OUTDOOR COOKING

5



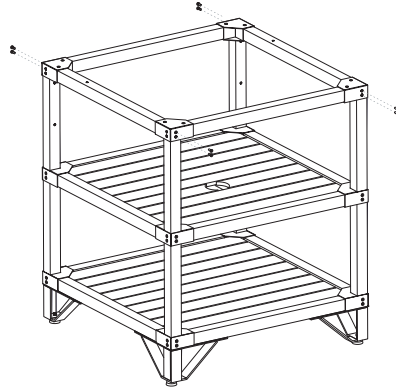
6



7



8X



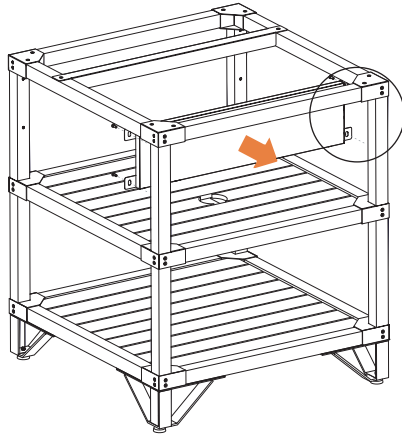
# BSOK 3 THE SINK

THE BASTARD  
SERIOUS OUTDOOR COOKING

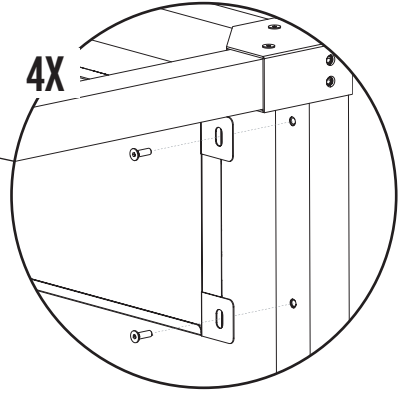
8



4X



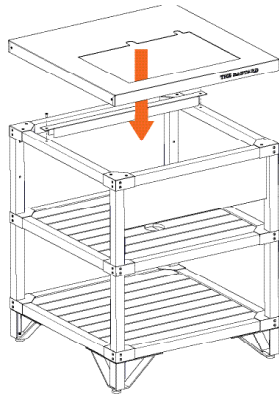
4X



9



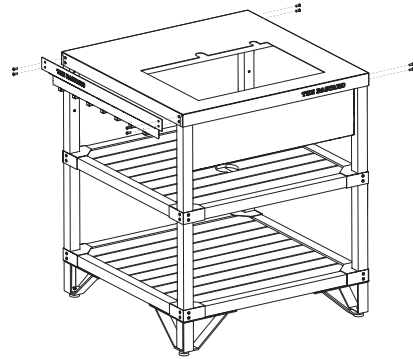
2X



10



8X



# BSOK 3 THE SINK

**THE BASTARD**  
SERIOUS OUTDOOR COOKING

