

The art of outdoor cooking



OFYR TRAILER
Ready to order



THE ART OF OUTDOOR COOKING





OFYR TRAILER

- Perfect cooking unit for your events
- OFYR XL cooking unit on wheels
- Epic meals for up to 150 people
- Fully tested and certified for EU
- Drawbar trailer detachable
- Storage in front and back side
- Detachable wooden blocks on top of the trailer



WORKING SPACE FOR 2 CHEFS



DRIVERS LICENSE: B

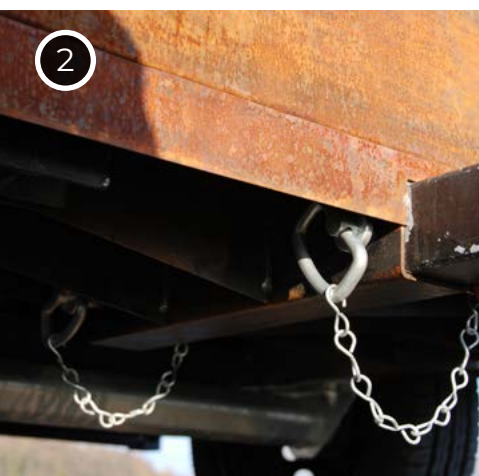


EU-CERTIFIED

THE ART OF OUTDOOR COOKING



1



2



3

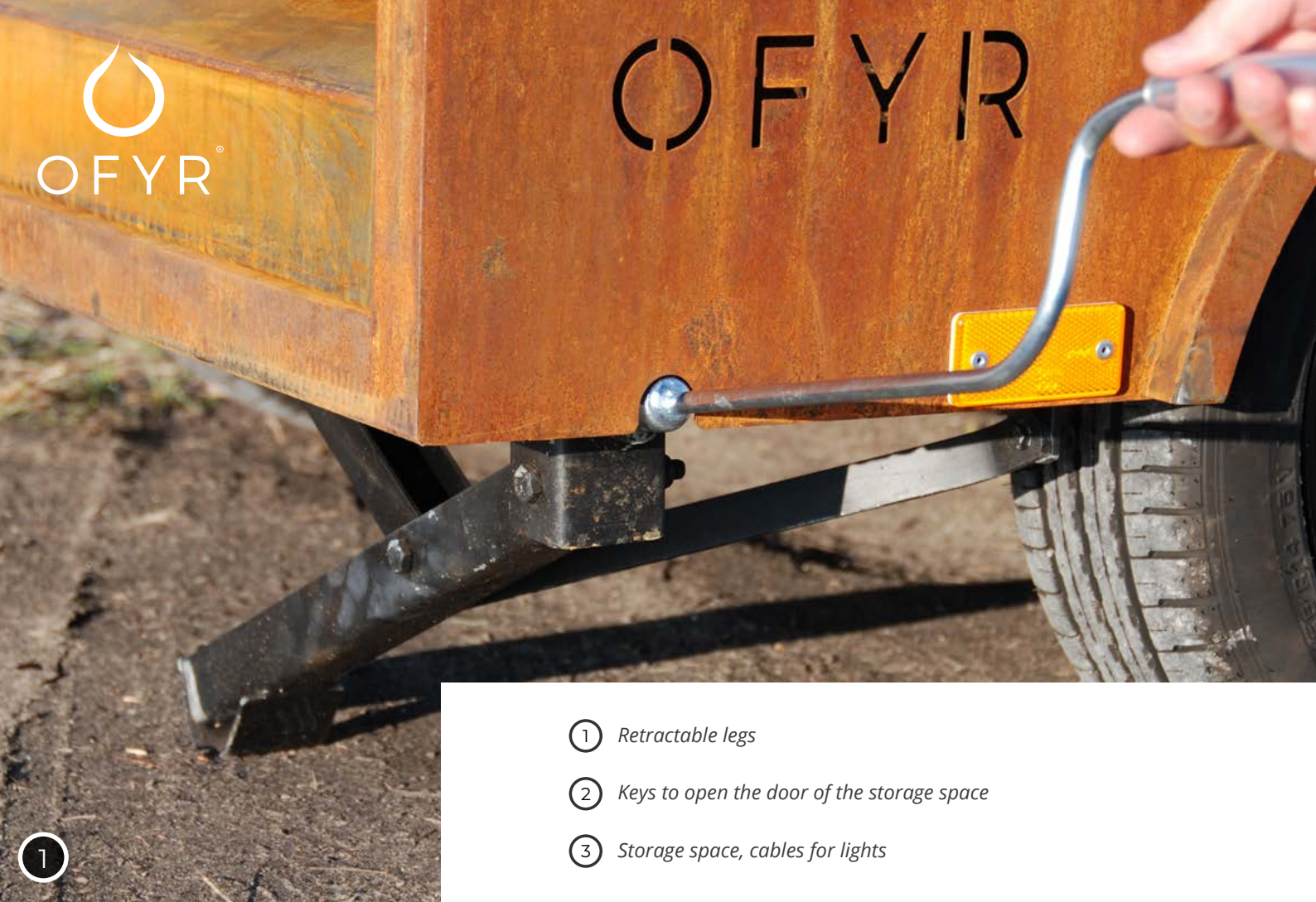


4

- ① Reflectors on the left and right side of the trailer
- ② Pins to remove the drawbar
- ③ Removable drawbar
- ④ Plate main dimensions / EU Certified



OFYR



1

- ① Retractable legs
- ② Keys to open the door of the storage space
- ③ Storage space, cables for lights

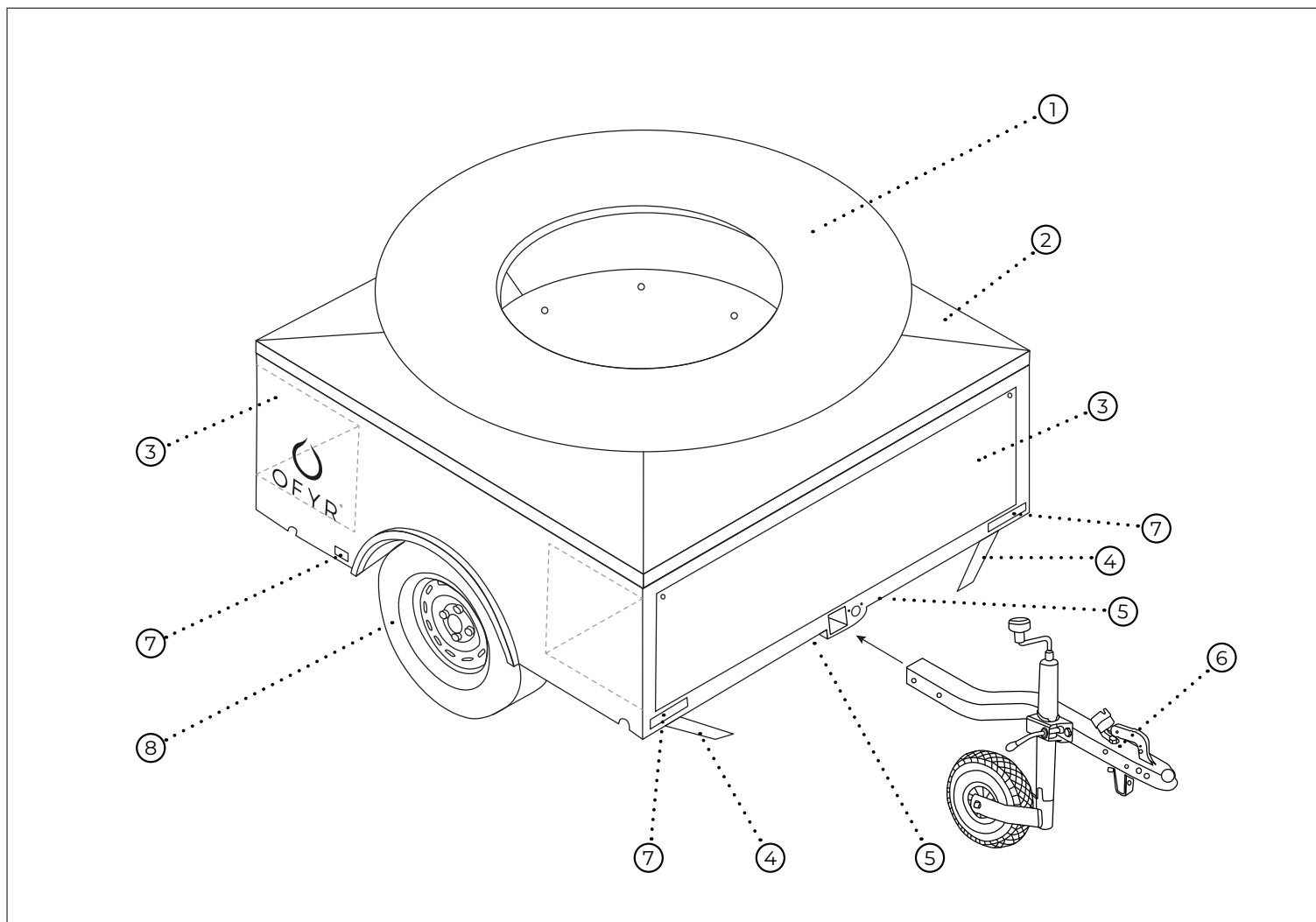


2



3

THE ART OF OUTDOOR COOKING



TRAILER-01

Material	Base	Corten steel
	Tabletop	4x Rubberwood tops
Dimensions	Plate	Ø150 cm
	Trailer Base	150x150 cm
	Trailer Height	109 cm
	Tabletop	150x75x3 cm
Weight		470 kg
Storage		± 0,5 m3 wood
EAN code		7436933035094

1. *Cooking plate*
2. *Detachable wooden blocks*
3. *Storage space; front and back-side of the trailer.*
4. *Retractable legs*
5. *Pins to secure the drawbar to the trailer*
6. *Removable drawbar*
7. *Reflectors*
8. *Wheels, 14"*